

BENEFITS

- Very eye-catching dominates the entire bar or counter area.
- Easy to install two threaded rods fasten to the counter.
- Versatile one to eight valves, pre mix or post mix. The hardware kits come in different sizes, in polished or gold-plated stainless steel.

TECHNICAL SPECIFICATIONS

- Ceramic components are made from high-quality stoneware, fired to 1100° C. Glazes are loyal to Pantone® colors, and are all alimentary safe. The gold used in the decals and pin striping is 24 kt.
- Hardware kits are AISI 304 stainless steel, polished or gold-plated.
- Brass drip tray with a stainless steel grill.

FACS S.A.

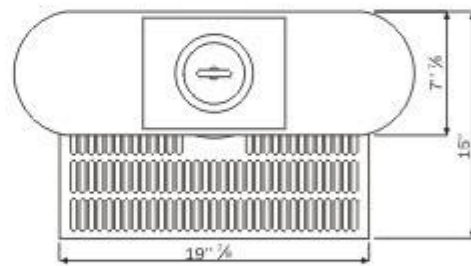
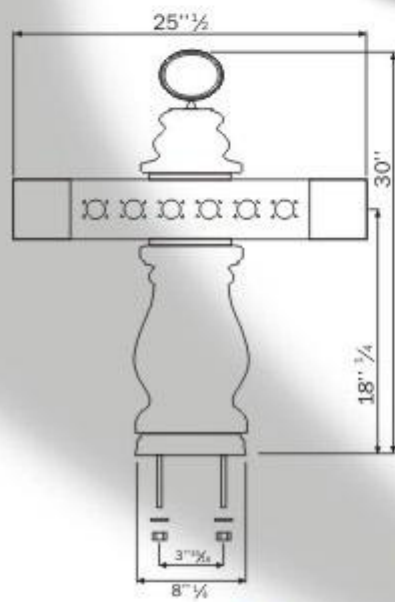
Strada Cardio, 40
47899 Galazzano
Repubblica di San Marino

Tel. (+378) 0549 901256
Fax (+378) 0549 901574

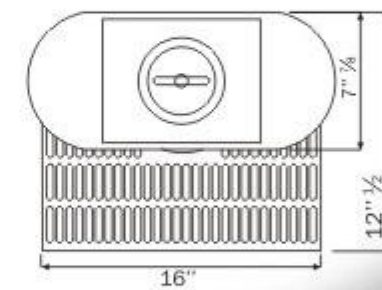
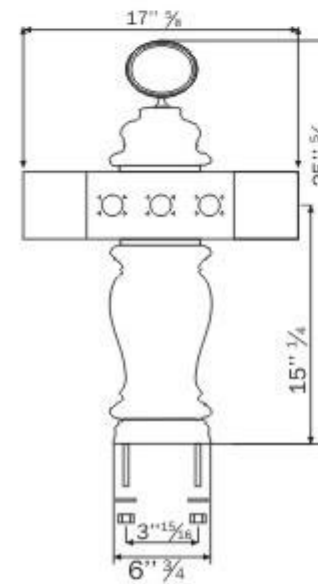
www.facs.sm
info@facs.sm



SAN MARINO
Code: V0001



SERRAVALLE
Code: V0007



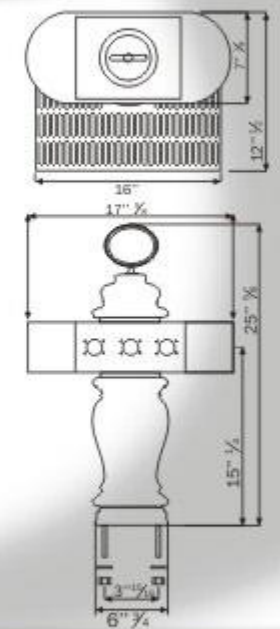
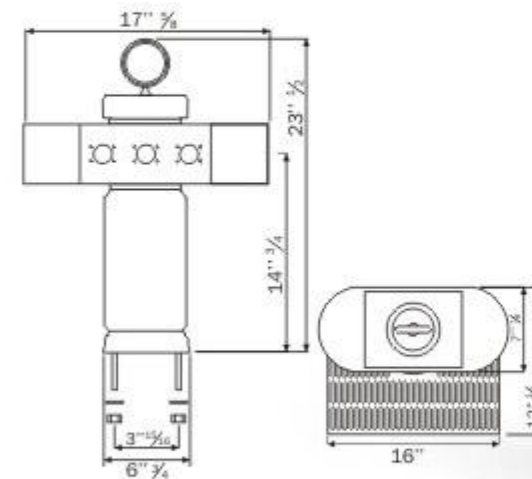
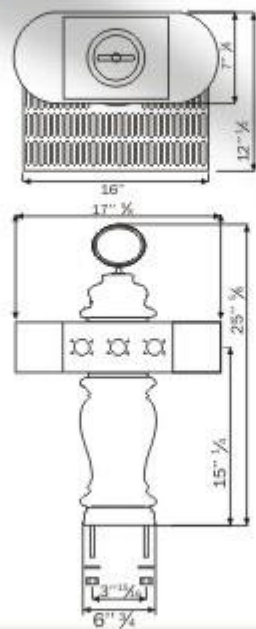
SERRAVALLE
Code: V0003



TITANO
Code: V0004

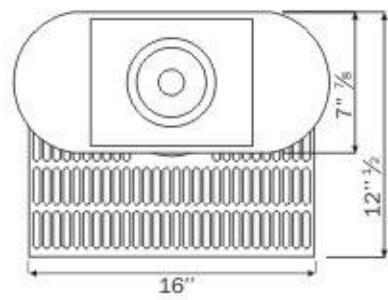
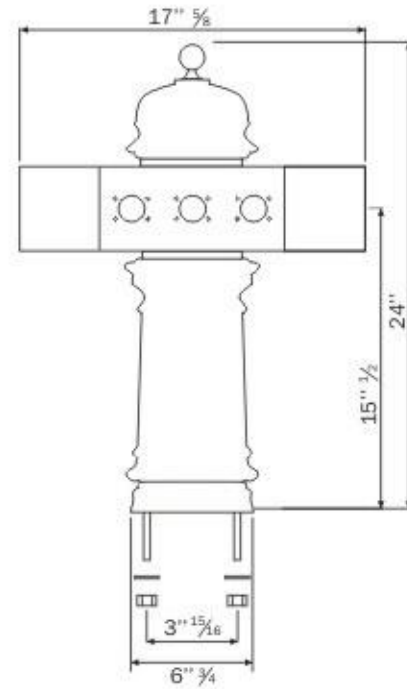


SERRAVALLE
Code: V0005





TRE MONTI
Code: V0006



SAN MARINO
Code: V0002

