

## BENEFITS

- Very eye-catching dominates the entire bar or counter area.
- Easy to install two threaded rods fasten to the counter.
- Versatile one to eight valves, pre mix or post mix. The hardware kits come in different sizes, in polished or gold-plated stainless steel.

## TECHNICAL SPECIFICATIONS

- Ceramic components are made from high-quality stoneware, fired to 1000° C. Glazes are loyal to Pantone® colors, and are all alimentary safe. The gold used in the decals and pin striping is 24 kt.
- Hardware kits are AISI 304 stainless steel, polished or gold-plated.
- Brass drip tray with a stainless steel grill.

## FACS S.A.

Strada Cardio, 40  
47899 Galazzano  
Repubblica di San Marino

Tel. (+378) 0549 901256  
Fax (+378) 0549 901574

[www.facs.sm](http://www.facs.sm)  
[info@facs.sm](mailto:info@facs.sm)

Made exclusively by:

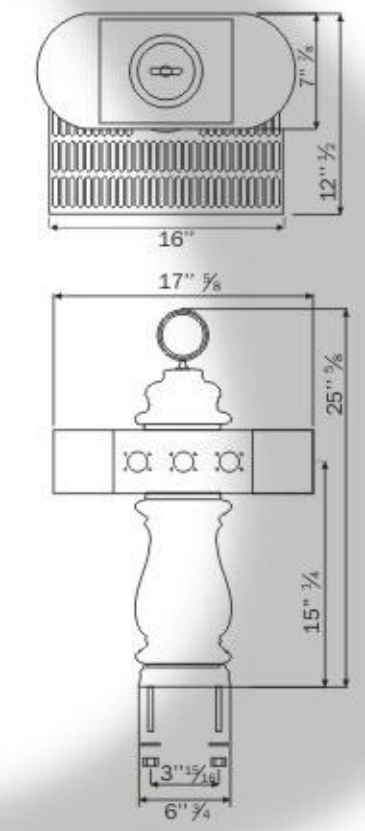
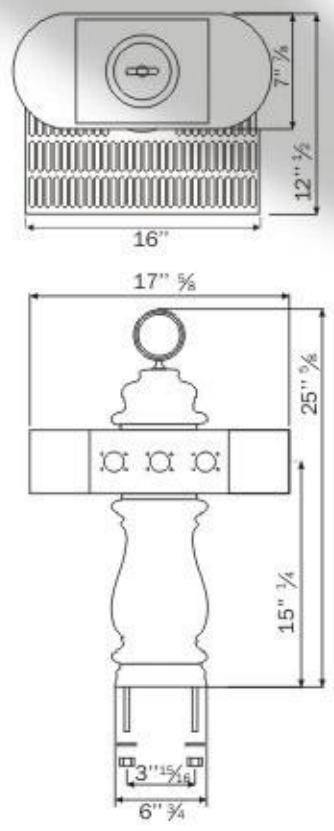






Montegiardino  
Code: V0010

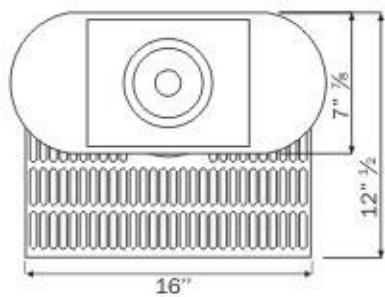
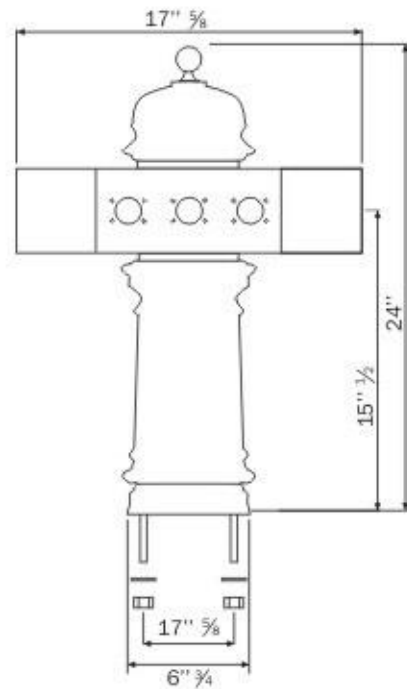
Montegiardino  
Code: V0011



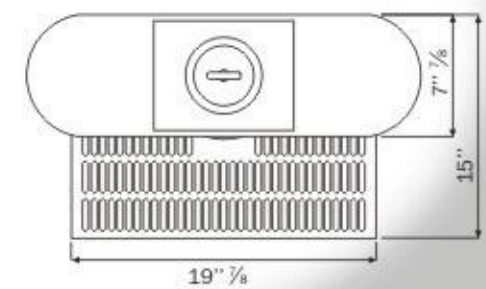
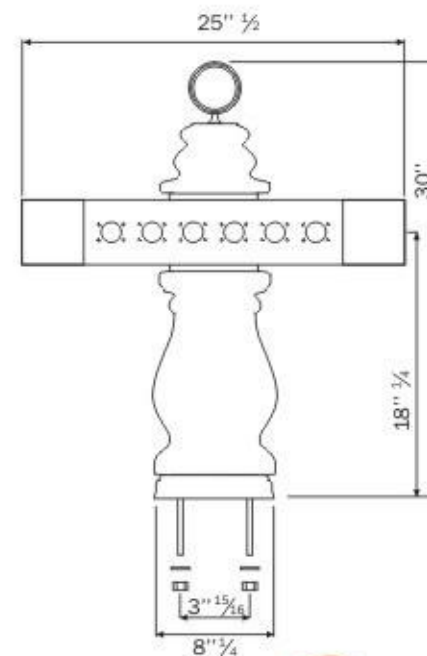




**Tre Monti**  
Code: V0012

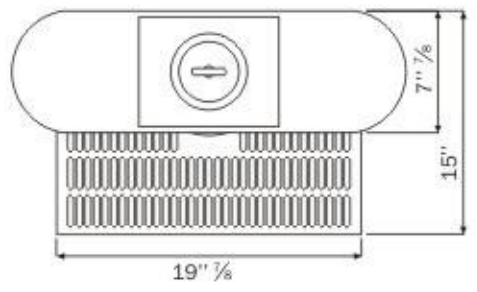
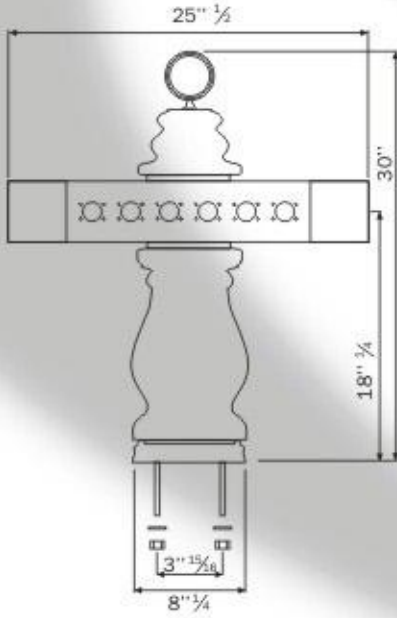


**San Marino**  
Code: V0009

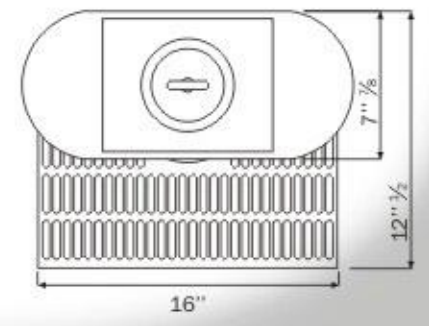
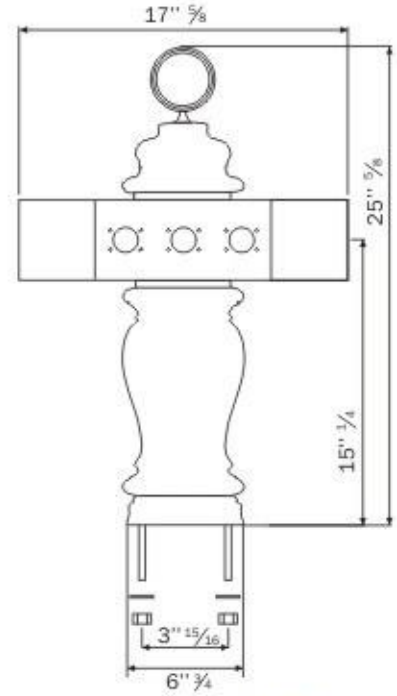




## San Marino Code: V0008



## Serravalle Code: V0013



FACS S.A.  
Strada Cardio, 40  
47899 Galazzano - Repubblica di San Marino  
Tel. (+378) 0549 901256 Fax (+378) 0549 901574  
www.facs.sm - info@facs.sm



FACS S.A.  
Strada Cardio, 40  
47899 Galazzano - Repubblica di San Marino  
Tel. (+378) 0549 901256 Fax (+378) 0549 901574  
www.facs.sm - info@facs.sm